

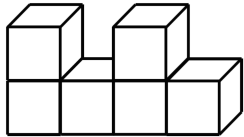
# Unit 5: Polynomials Day 11

Math 9 Principles

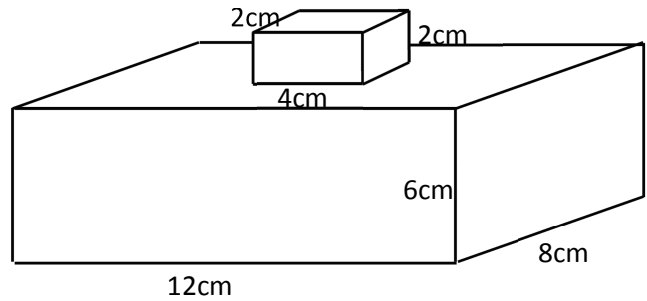
**5-8 I can evaluate surface areas of composite shapes.**

Find the surface area of each composite object.

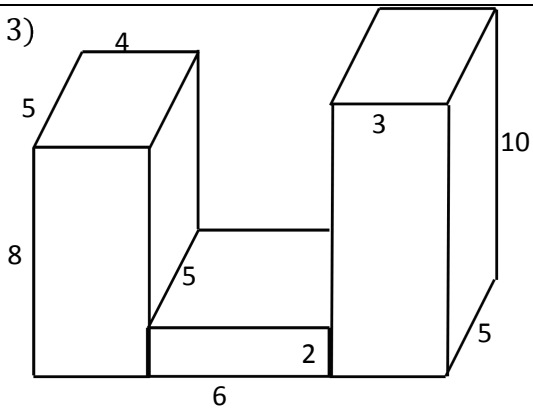
1) This figure is composed of cubes where each face has  $1 \text{ unit}^2$ .



2)



3)



4)

